



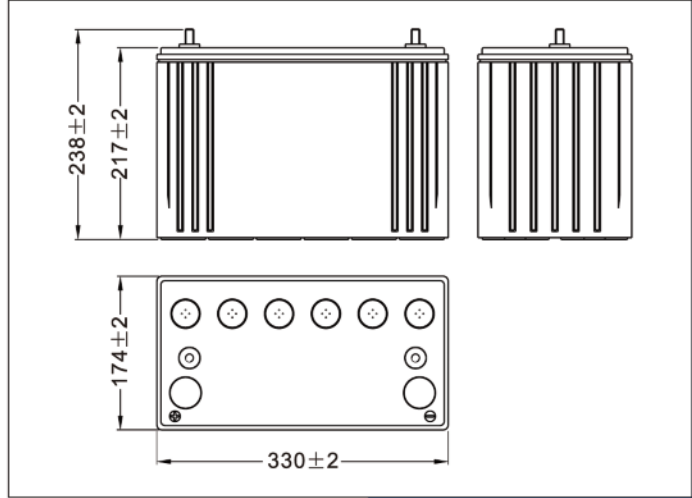
POWERSTRIDE BATTERY

US AGM31



www.USBATTERY.COM

Dimensions (mm)



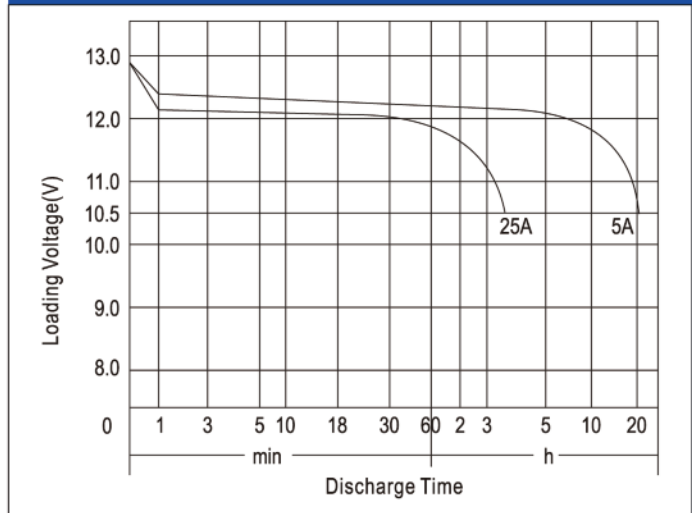
Physical Specification (mm)

Nominal Voltage	12V	
Nominal Capacity(20HR)	100Ah	
Dimension	Length	330±2mm(13.00inches)
	Width	174±2mm(6.85inches)
	Container Height	217±2mm(8.54inches)
	Total Height(with Terminal)	238±2mm(9.37inches)
Weight	Approx 31.1Kg(68.5lbs)	
Acid	1.310±0.015g/cm ³ (25°C)	
Standard Terminal	STUD	
Cell layout	A	
Hold-Down	/	
Cell plate qty	/	
Case	Gold	
Cover	Gold	
Handle		
QTY/PLT/layer		

Electrical Specification

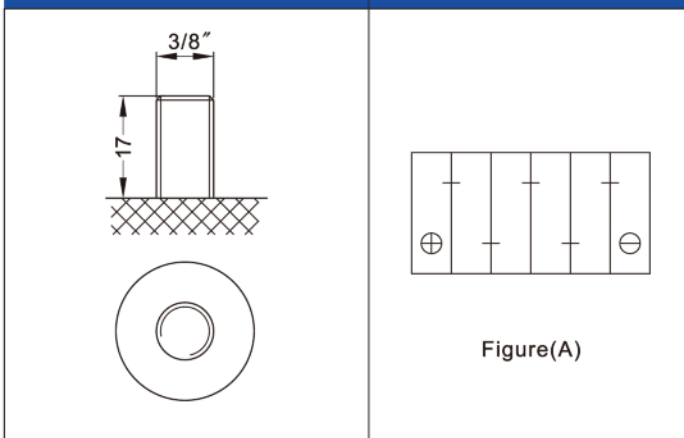
Rated Capacity	20 hour rate(5A)	100Ah
Reserve Capacity		190min
Cold Cranking Performance Amps@0°F(-18°C)		800A

Discharge Characteristics(25°C,70°F)



Standard Terminal (mm)

Cell Layout



Discharge Characteristics(-18°C,0°F)

